

Airmatic® Lubricator

Pneumatic Operation, PDI, Oil, FADAL (part #27029)



General

The Airmatic Lubricator is a simple economical unit with a broad range of output. It is designed to be operated with shop air. The stroke setting is easily adjusted to suit a wide variety of industrial centralized lubrication needs. The package is supplied with a 4 liter metal reservoir.

Application

This Airmatic Lubricator is to be used with positive displacement injector (PDI) systems.*

Operation

Airmatic® Lubricator includes an air actuated, spring return piston pump with an adjustable output between 2 to 10cc for each piston stroke at discharge pressures up to 500 psi. For PDI systems, maximum discharge of 10cc/stroke is recommended. Stroke movement is preset to a fixed discharge and supply air pressure governs the output delivery pressure.

For extended service, incoming air must be dry. Always use a suitable FRL unit (filter/regulator/lubricator) to control air to recommended operating range. Normally, the air-operated Airmatic is used with a 3/2-way electrical solenoid valve to control and vent shop air from the pump air inlet.

The solenoid valve in the 27029 configuration allows air to the piston when de-energized. When energized, the piston returns to (up) normal, spring relaxes and air exhausts. De-energized for 10 seconds. Energized for 3 minutes 50 seconds.

Technical Data

Delivery Volume	2cc-10cc/actuation cycle (infinite adjustment)
Reservoir	4 liter, metal
Viscosity Range	150-8000 SSU ¹
Normal Range Cycle	Up to 30 cycles/minute maximum ²
Operating Temperature	32°F to 120°F (0°C to 49°C)
Oil Outlet Connection	1/8" NPTF (female)
Low Level Switch	0.17 amp at 110 VAC
Solenoid Valve	0.12 amp at 110 VAC
Lubricator Air Connection (without solenoid)	1/4" NPTF (female)
Operating Pressure	300 psi (21 bar) - SLR, PRG 400 psi (28 bar) - PDI
Recommended Incoming Air Pressure	80 psi (5 bar) - SLR, PRG 100 psi (7 bar) - PDI
Air/oil Pressure Ratio	1:4
Maximum Inlet Pressure	125 psi
Minimum Inlet Pressure	70 psi

¹ Viscosity range at operating temperature may be restricted by internal relief valve (consult Bijur Delimon).

² System parameters may affect this rate (consult Bijur Delimon).



*Refer to appropriate engineering manuals for normal system limitations when sizing distribution proportioning devices for use at a particular discharge setting.

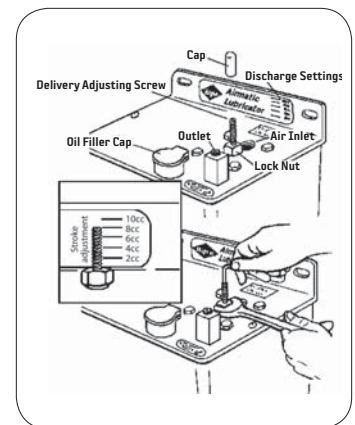


Figure 1:
Lubricant Delivery Adjustment

ATTENTION

The solenoid valve in the 27029 configuration allows air to the piston when de-energized. When energized, the piston returns to (up) normal, spring relaxes and air exhausts.

De-energized for 10 seconds. Energized for 3 minutes 50 seconds.

BIJUR DELIMON INTERNATIONAL

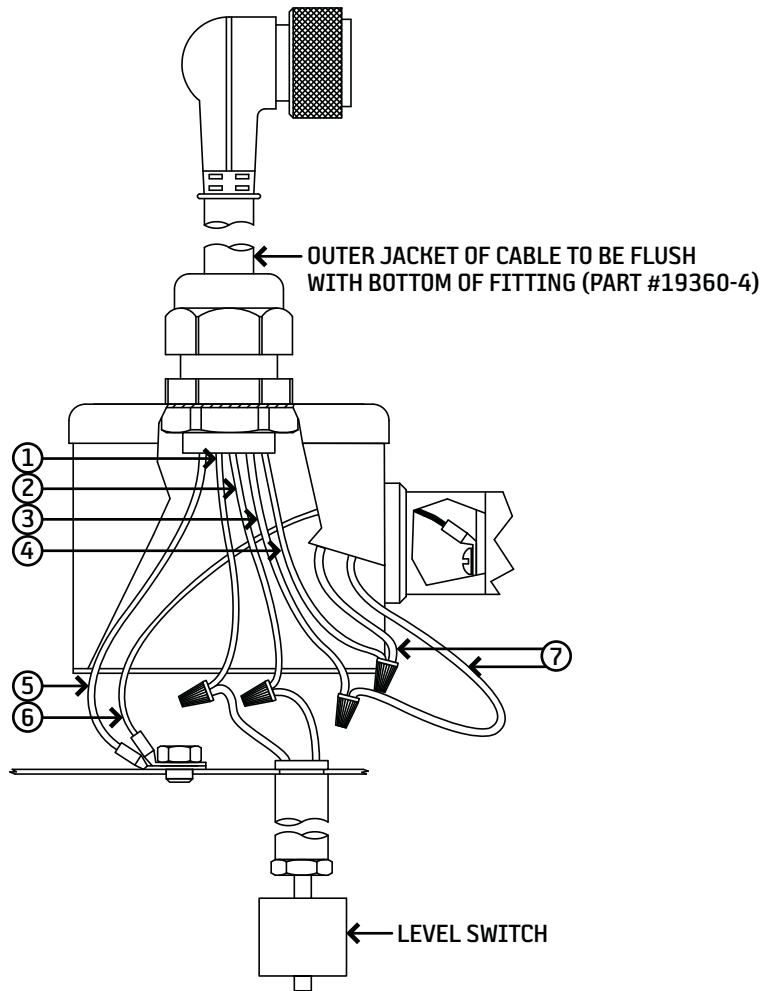
(919) 465 4448 LOCAL
(800) 631 0168 TOLL-FREE
(919) 465 0516 FAX

WWW.BIJURDELIMON.COM

2250 Perimeter Park Dr., Suite 120
Morrisville, NC 27560

35666 • R0 01/16

Wiring (Level Switch and Solenoid Connections)



Item	Color	Description
1	Red	To pin #2
2	Orange	To pin #4
3	Black	To pin #5
4	White	To pin #1
5	Green/Yellow	To pin #3
6	Green/Yellow	To solenoid ground screw
7	Black	To solenoid

BIJUR DELIMON INTERNATIONAL

(919) 465 4448 LOCAL
(800) 631 0168 TOLL-FREE
(919) 465 0516 FAX

WWW.BIJURDELIMON.COM

2250 Perimeter Park Dr., Suite 120
Morrisville, NC 27560

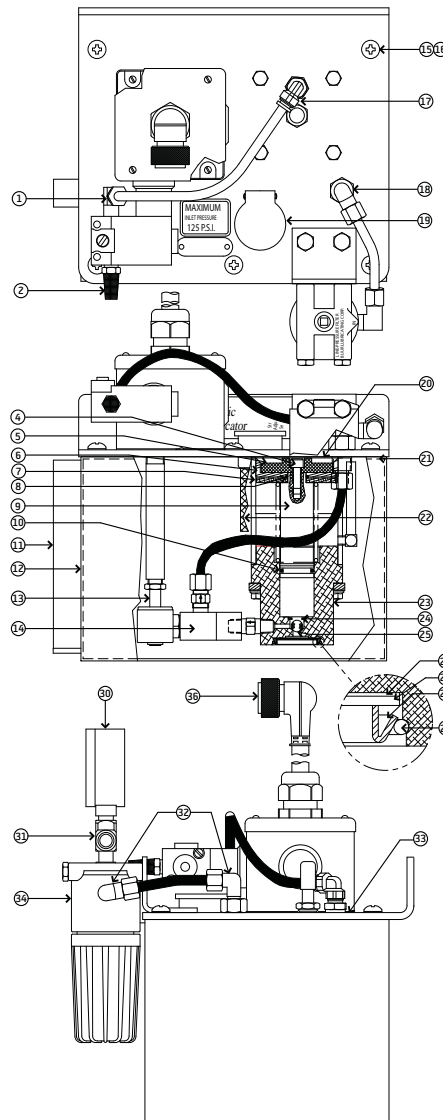
How To Order

Name	Description	Part #
Airmatic PDI Lubricator	FADAL	27029*

When ordering, specify by name, description and part number, e.g. Airmatic PDI Lubricator, FADAL, Part #27029.

Service Parts

Item	Description	Part #
---	Piston sub assembly kit	21447
	Screw (4)	HS165
	Follower plate (5)	20054
	Seal (6)	20009-1
	Support (7)	19803
	O-ring (8)	H0403
	Piston (9)	19802
	O-ring (10)	15844-116
---	Cylinder body sub assy kit	21448
	Body (23)	19801
	L washer (24)	HW317
	Ball (25)	A4073
	Support (26)	A3841
	Screen (27)	A3848
	Clamp (28)	A3843
	Ring (29)	A3899
1	Adapter elbow	B7743
2	Muffler	A4239-M
3	Solenoid valve	20311-1
11	Sight glass	20513
12	Reservoir black	27839-1
13	Level switch (opens at low level)	B8561
14	PDI valve	S27234
15	Washer	HW312
16	Screw	HS283
17	Elbow	21167-1
18	Adapter	B7659
19	Filler cap	HF705C
20	Gasket	21464
21	Gasket	21151
22	Strainer	19030
30	Gauge	27620
31	Tee	15922
32	Elbow adapter	B7743
33	Gasket	B9834



34	Filter	19849
35	Replacement element	B6889
36	Cable	27026

ATTENTION

The 27029 Lubricator replaced the Airmatic model #21024.

NOTE:

Fadal p/n is: LUB-0088

BIJUR DELIMON INTERNATIONAL

(919) 465 4448 LOCAL
 (800) 631 0168 TOLL-FREE
 (919) 465 0516 FAX

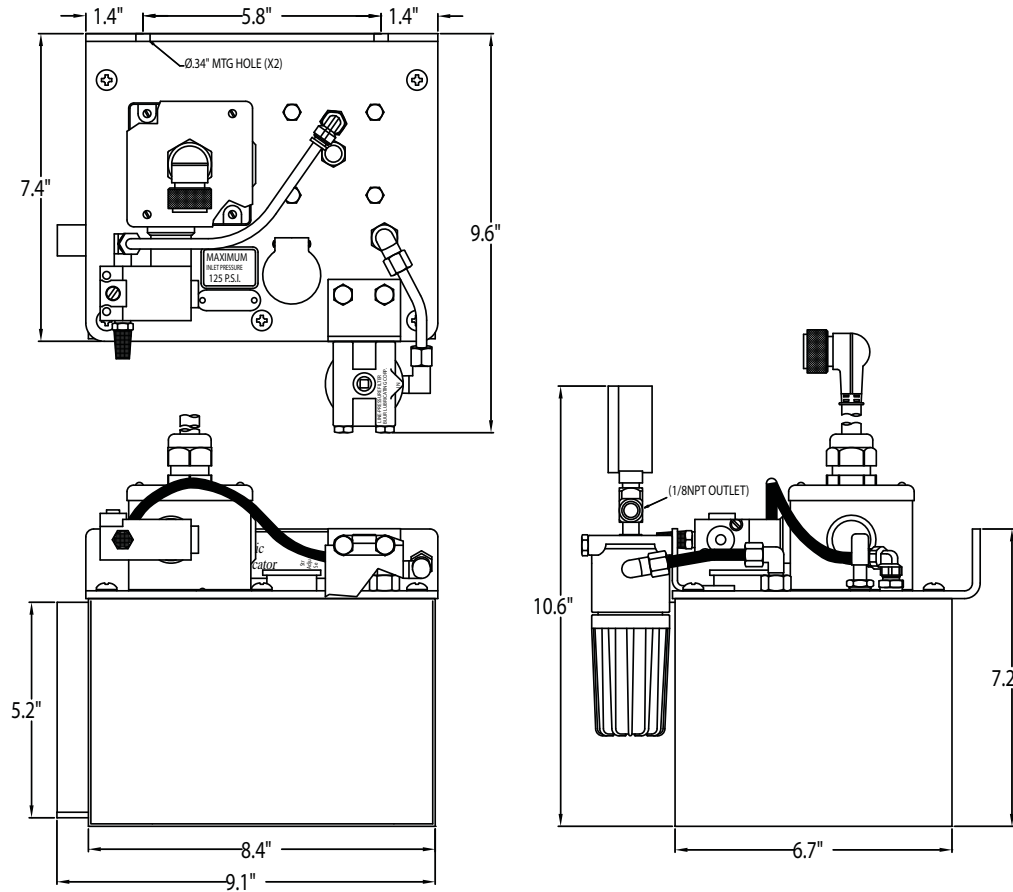
WWW.BIJURDELIMON.COM

2250 Perimeter Park Dr., Suite 120
 Morrisville, NC 27560

35666 • R0 01/16

Dimensional Schematics

Measurements shown in inches.



BIJUR DELIMON INTERNATIONAL

(919) 465 4448 LOCAL
(800) 631 0168 TOLL-FREE
(919) 465 0516 FAX

WWW.BIJURDELIMON.COM

2250 Perimeter Park Dr., Suite 120
Morrisville, NC 27560