

# SK-505 Lubricator

## Motor-driven, Semi-fluid Greases

### General

The SK-505 lubricator is a piston discharge pump activated by a small direct current 24 Volt(DC) electric motor. SK-505 Model B has a discharge pressure of 2100 psi.

### Application

This model is normally used with progressive divider blocks for small and medium sized systems (refer to *Brochure #166 - Progressive Lubricating Systems*). The outlet port has a 1/4" BSPP thread for use with inverse flare fittings. Use adapter #20331 and seal #35010 to adapt to 1/8" NPT female threads.



### Technical Data

<b>Lubricant</b>		NLGI 000, 00 and 0 (Reservoir B & E); NLGI 1 (Reservoir G)
<b>Reservoir</b>		Clear plastic with follower plate
<b>Reservoir Capacity</b>		0.4 liter (400cc), 1.0 liter (1000cc)
<b>"ON" Time (max.)</b>		5 minutes
<b>"OFF" Time (min.)</b>		5 minutes
<b>Pump Output</b>		Approx. 13cc/min at 0 psi; Approx. 6cc/min at 2100 psi (150 kg/cm <sup>2</sup> )
<b>Motor Current</b>		No Load = 0.8 amps, Stalled ≤ 3.0 A
<b>Temperature Range</b>	All Models w/ Grade 0, 00, or 000 Grease	30° - 100°F (-1° - 38°C)
	Model B w/ Grade 1 Grease	50° - 100°F (10° - 38°C)

#### BIJUR DELIMON INTERNATIONAL

(919) 465 4448 LOCAL  
 (800) 631 0168 TOLL-FREE  
 (919) 465 0516 FAX

[WWW.BIJURDELIMON.COM](http://WWW.BIJURDELIMON.COM)

2100 Gateway Centre Blvd., Suite 109  
 Morrisville, NC 27560

## Operation

### Filling Grease Reservoir

Do not fill from top – always fill reservoir with clean grease through the standard zerk grease fitting located in lower housing. This action minimizes introduction of air pockets into lubricator and centralized distribution system.

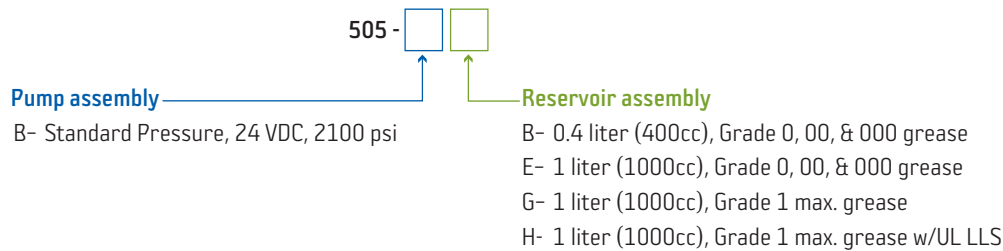
### Reservoir Assembly

- + Reservoir G (1 liter with Grade 1 grease) has a heavy follower plate to avoid cavitation at the pump inlet.

## How To Order

Various pump assemblies, specifications and reservoirs are shown below. Construct the ordering designation for the SK-505 lubricator you require by inserting the individual codes for the required parts. Refer to example of ordering sequence shown below:

**Example:** Part number 505-BE would represent a 24 VDC, 2100 psi lubricator assembly complete with a 1 liter reservoir for use with grease not exceeding NLGI No. 0.



## Service Parts

Description	Part #
Reservoir B	44276700
Reservoir E	44278900
Reservoir G	44278900
Reservoir H	44263900
Pump/Motor Assembly	44990700

### BIJUR DELIMON INTERNATIONAL

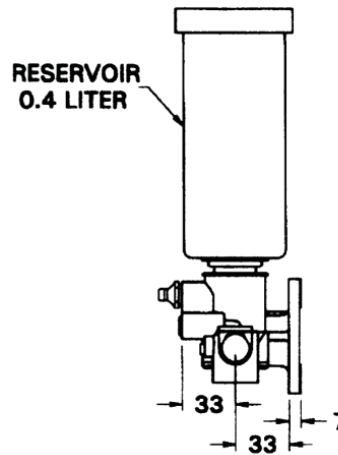
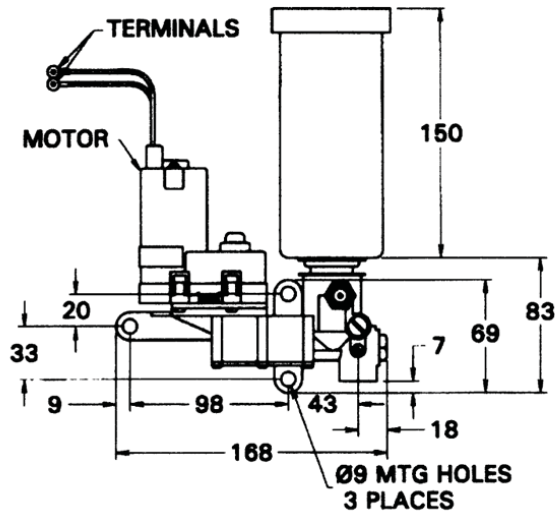
(919) 465 4448 LOCAL  
 (800) 631 0168 TOLL-FREE  
 (919) 465 0516 FAX

[WWW.BIJURDELIMON.COM](http://WWW.BIJURDELIMON.COM)

2100 Gateway Centre Blvd., Suite 109  
 Morrisville, NC 27560

## Dimensional Schematics

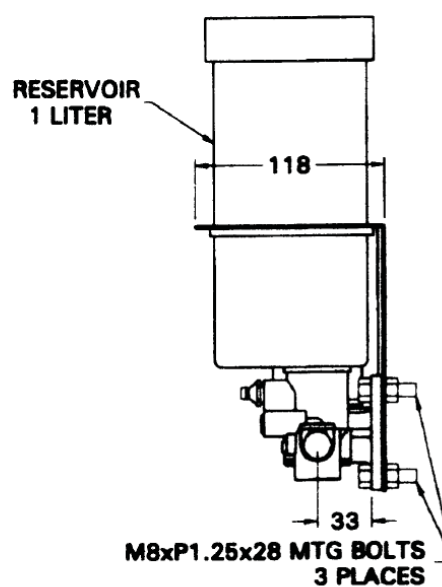
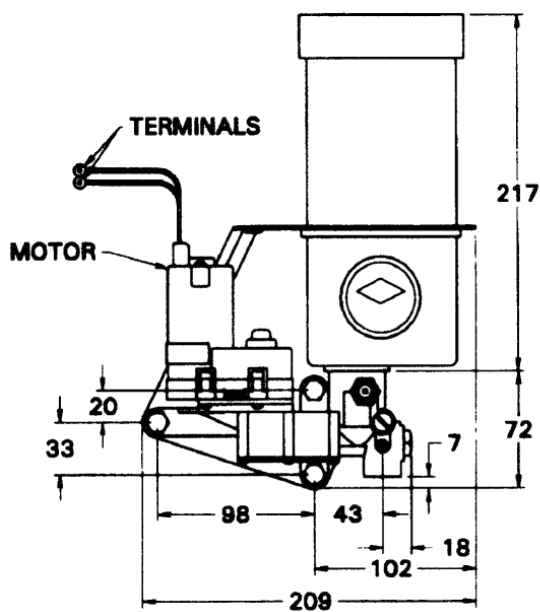
### 0.4 Liter (400cc) Reservoir



Measurements shown in millimeters.

Note: Configurations shown on this data sheet are basic models. Other options available include 2.0 liter reservoir unit, low level switches for 1.0 and 2.0 liter reservoirs and high output pressure units. For additional information, contact your nearest Bijur Delimon representative.

### 1.0 Liter (1000cc) Reservoir



BIJUR DELIMON INTERNATIONAL

(919) 465 4448 LOCAL  
(800) 631 0168 TOLL-FREE  
(919) 465 0516 FAX

[WWW.BIJURDELIMON.COM](http://WWW.BIJURDELIMON.COM)

2100 Gateway Centre Blvd., Suite 109  
Morrisville, NC 27560