

TTN Progressive Lubricator

Series Progressive Systems, Electric, Grease

General

TTN Progressive Lubricators are electrically driven piston pumps designed for use with series progressive systems. These lubricators can be fitted with up to three independent piston elements providing positive displacement output to series progressive divider valves. TTN Progressive Lubricators are available with low level switch and various reservoir capacities. Operating voltages are 24 VDC.

Application

TTN Progressive Lubricators are ideally suited for off-road mobile machinery such as loaders, excavators, articulated trucks, graders, etc. These lubricators are designed to work in conditions found in the construction, mining and forestry industries. A unique reservoir design keeps out contamination and prevents condensation from forming, thus assuring reliable automatic lubrication of critical wear points such as bearings, bushings and pins.

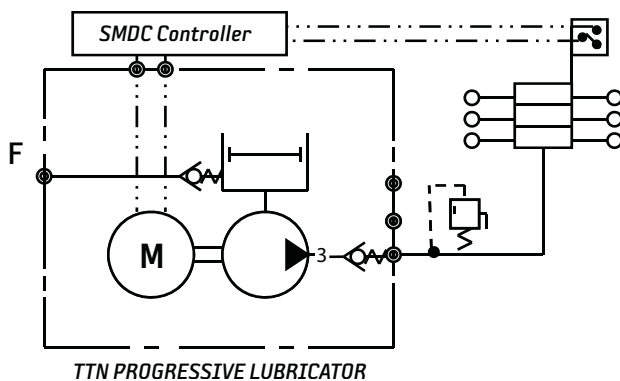
Operation

Power supplied to a motor with gear box drives a precision eccentric cam which engages with up to three spring loaded piston elements. This action creates a suction and pressure stroke of the element(s), thereby displacing fixed volumes of lubricant through an outlet check valve. Lubricant is displaced through main line tubing or hose to a network of progressive divider valves. Each piston element comes with an external relief valve (relieves to atmosphere).

Features

- + Large reservoir capacities allow for extended times between refills
- + Low fluid grease level and system monitoring capabilities
- + Designed to handle a wide range of lubricants
- + Unique reservoir design keeps fluid grease free from contaminants

ISO Schematic



Refer to the following documents:

- + *Operators Manual #35580: TTN Progressive Lubricator*
- + *Datasheet #35635: PVB Mobile Divider Valve*
- + *Datasheet #35699: M2500G Divider Valve*
- + *Datasheet #46911: SMDC Controller*

BIJUR DELIMON INTERNATIONAL

(919) 465 4448 LOCAL
(800) 631 0168 TOLL-FREE
(919) 465 0516 FAX

WWW.BIJURDELIMON.COM

2100 Gateway Centre Blvd., Suite 109
Morrisville, NC 27560

35492 • R9 10/12

Technical Data

Lubricator

Reservoir Capacity	2, 4 and 8 liter (4, 8 and 16 lb)
Fluid Grease	NLGI grade #2 to #000
Relief Valve Setting	3600 psi (248 bar)
Discharge/min.	8cc (0.5 cu. in.) per element/outlet
Outlets	3 outlet maximum
Operating Temperature Range*	#0 grease: 5°F to 122°F (-15°C to 50°C) #2 grease: 14°F to 122°F (-10°C to 50°C)
Operating Voltage	24 VDC
Pump Cam Rotary Speed	42 rpm
Low Lubricant Level Switch	3 amp
Outlet Connection	1/4" NPT
Electrical Connections**	Binder RD24
Fluid Grease Fill Connector	Hydraulic quick disconnect
IP Enclosure Rating	IP-65
Fuse	5 amp

ATTENTION

* Lubricant used in system must be pumpable at the temperatures referenced. Contact lubricant manufacturer with specific questions.

** Number of contacts: 3+PE
Wire gauge: AWG 20-14
Cable diameter: 6-9.5mm
Screw termination
IP Enclosure Rating: IP-67

How to Order

Name	Voltage	Reservoir Capacity	Part #
TTN Progressive Lubricator with Low Level Switch	24 VDC	2 liter (4 lb)	TTN2C1S24 ²
		4 liter (8 lb)	TTN4C1S24 ²
		8 liter (16 lb)	TTN8C1S24 ²
Piston Elements ¹	---	---	52025-4

¹ TTN Lubricators ship standard with one element. Additional elements can be purchased separately.
² Requires remote controller (see Datasheet #46911: SMDC Controller).

When ordering, specify by name, voltage, reservoir capacity, options and part number, e.g. TTN Progressive Lubricator, 24 VDC, 2 liter (4 lb), low level switch, Part #TTN2C1S24.

Accessories

Description	Part #
Mounting plate (straight)	35455
Mounting plate (90°)	35456
Pressure gauge (5000 psi, 1/4" NPT, LM)	U902F
Pressure gauge (3000 psi, 1/4" NPT, LM)	U902D
Mating fill connector	UX43521

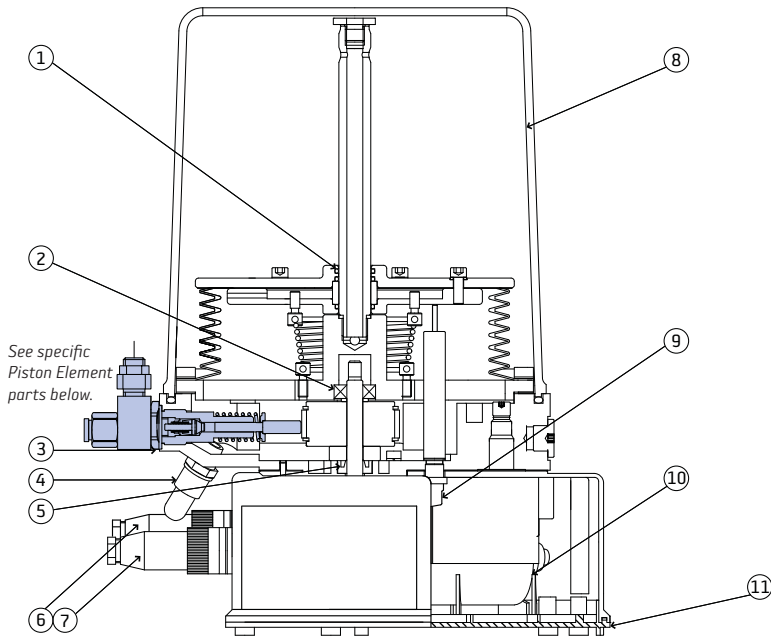
BIJUR DELIMON INTERNATIONAL

(919) 465 4448 LOCAL
(800) 631 0168 TOLL-FREE
(919) 465 0516 FAX

WWW.BIJURDELIMON.COM

2100 Gateway Centre Blvd., Suite 109
Morrisville, NC 27560

Service Parts

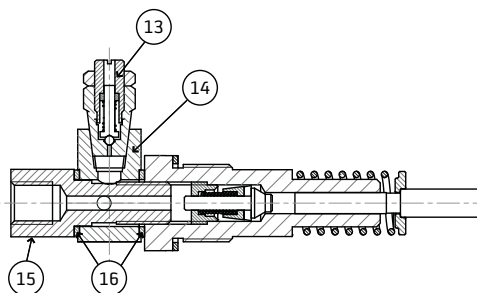


Item #	Description	Part #	Qty.
1	O-ring	22100-38	3
2	Bearing	25101-2	1
3	Copper seal	25589-7	2
4	Fill connector	52043	1
5	Shaft seal	22178-6	1
6	Electrical plug (male)	52041-1	1
7	Electrical plug (female)	52040-1	1

8	Reservoir: 2 liter (4 lb)	56683-1	1
	Reservoir: 4 liter (8 lb)	56683-2	1
	Reservoir: 8 liter (16 lb)	56683-4	1
9	Level switch (electric)	49653-54	1
10	Motor (24 VDC)	22450-4	1
11	Bottom cover	49968-1	1
	Fuse: 5 amp (24 VDC)	31076-2	1

Piston Element (Part # 52025-4)

Item #	Part #	Description	Qty.
13	22474	Relief valve (3600 psi)	1
14	22490	Swivel connector	1
15	22491-9	Outlet adapter	1
16	25589-5	Copper seal	2



BIJUR DELIMON INTERNATIONAL

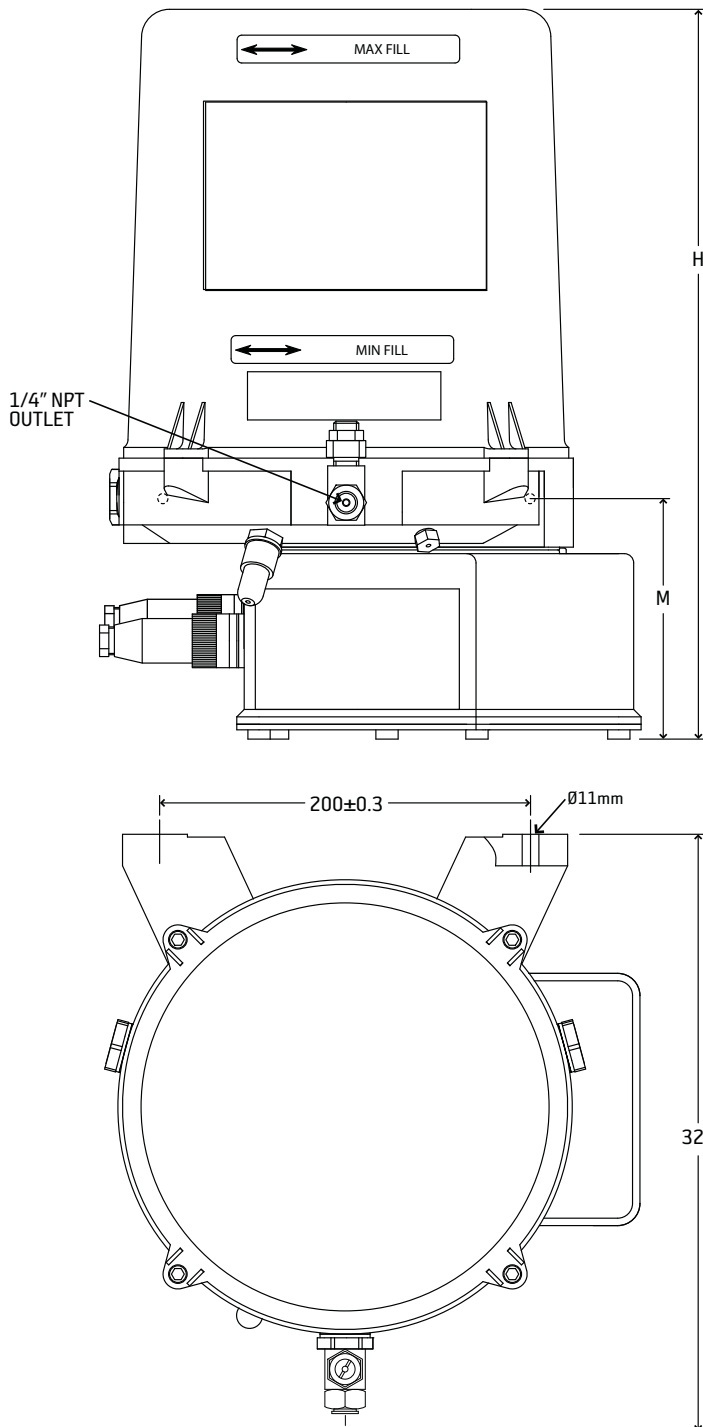
(919) 465 4448 LOCAL
 (800) 631 0168 TOLL-FREE
 (919) 465 0516 FAX

WWW.BIJURDELIMON.COM

2100 Gateway Centre Blvd., Suite 109
 Morrisville, NC 27560

Dimensional Schematics

Measurements shown in millimeters.



Reservoir	H	(M)*	Weight
2 liter (4 lb)	320mm (12.6")	128mm (5")	29 lb
4 liter (8 lb)	395mm (15.6")	128mm (5")	36 lb
8 liter (16 lb)	480mm (18.9")	148mm (5.8")	38 lb

* Measurement (M) represents the distance from the bottom of the pump to the center of the mounting hole.

BIJUR DELIMON INTERNATIONAL

(919) 465 4448 LOCAL
 (800) 631 0168 TOLL-FREE
 (919) 465 0516 FAX

WWW.BIJURDELIMON.COM

2100 Gateway Centre Blvd., Suite 109
 Morrisville, NC 27560

35492 • R9 10/12