

U-Block Divider Valves

Models UR and UM, Oil and Grease



General

U-Block divider valves, models UR and UM, are specially designed for use in progressive lubrication systems. Several outlet configurations are available that allow you to tailor the divider valve to your lubrication specifications. Crossport bars are also available so you can double volume discharge where needed.

Operation

Each divider valve has a number of pistons that divide the volume of lubricant equally and forces it out of the valve. When the system is pressurized, pistons are positively displaced in sequence until the cycle is complete, with lubricant being discharged from each outlet. U-Block divider valves will continue to cycle as long as lubricant is being delivered from the pump.

Lubricant (under pressure) is introduced to inlet P. Pistons are positioned to the right. The center piston is moved to the left, followed by the bottom piston (Figure 1). Now, with the center and lower pistons to the left, the pressurized lubricant is again delivered to inlet P, which pushes the top piston and discharges lubricant at outlet 4. An orifice is opened and allows lubricant to push the center piston back to the right. The cycle then continues with the bottom piston and then the top piston (Figure 2).

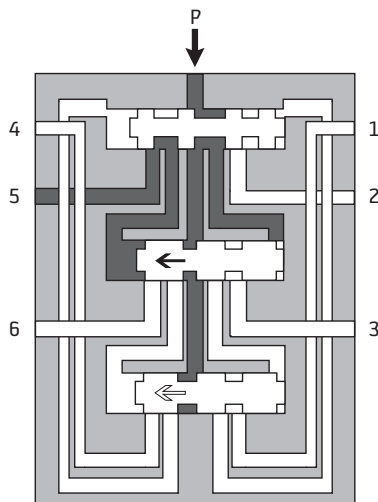


Figure 1

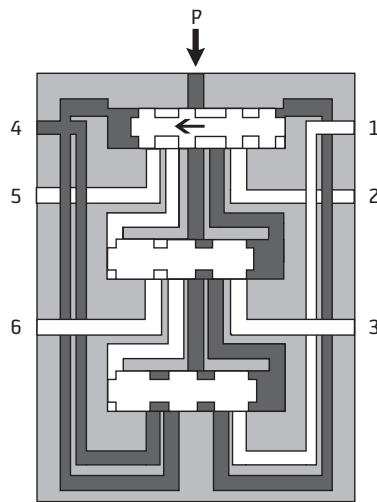


Figure 2

Maintenance

- + Use clean grease or oil.
- + Inline filters on the pump outlet are suggested but not required.
- + If lubrication lines have not been primed, it will be necessary to do so. With grease applications, it is recommended to prefill lubrication lines.



Before installing or operating this product, please read this manual carefully. Failure to follow instructions can result in damage to the product and/or serious bodily injury.



Before performing service to product, always turn off and disconnect electrical power.

WARNING

When connecting product, make sure that unit is securely and adequately grounded. Failure to ground properly may cause serious injury.

BIJUR DELIMON INTERNATIONAL

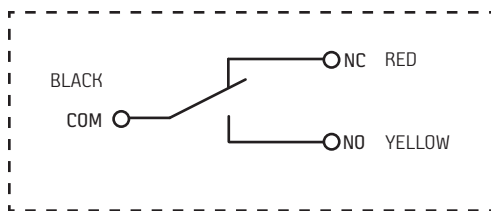
(919) 651 5457 LOCAL
(800) 631 0168 TOLL-FREE
(919) 465 0516 FAX

WWW.BIJURDELIMON.COM

2100 Gateway Centre Blvd., Suite 109
Morrisville, NC 27560

Technical Data

Pressure	Grease	Max. 150 bar (2175 psi)
	Oil	Max. 60 bar (870 psi)
Minimum Pressure		14 bar (203 psi)
Lubricant		Oil; Grease up to NLGI #2
Temperature		-10°C to +70°C
Max. Operating Frequency (with Indicator)		60 cycles/min.



Model UM Switch Wiring

How to Order

Outlets	Working Port #	Flow Rate	Model	Description	Part #
4	1-4-5-8	0.3cm ³	U4R	With indicator pin	44159-1
			U4M	With electric micro switch	44160-1
6	1-3-4-5-7-8	0.3cm ³	U6R	With indicator pin	44229-1
			U6M	With electric micro switch	44230-1
8	1 to 8	0.3cm ³	U8R	With indicator pin	43659-1
			U8M	With electric micro switch	43678-1
10	2-6 & 8-12	0.3cm ³	U10R	With indicator pin	42879-1
12	1 to 12	0.3cm ³	U12R	With indicator pin	42999-1
			U12M	With electric micro switch	43000-1

Measurements shown in millimeters.

Accessories

Description	Model	Part #	A
		44602	15mm
		44600	26mm
		42902	

BIJUR DELIMON INTERNATIONAL

(919) 651 5457 LOCAL
 (800) 631 0168 TOLL-FREE
 (919) 465 0516 FAX

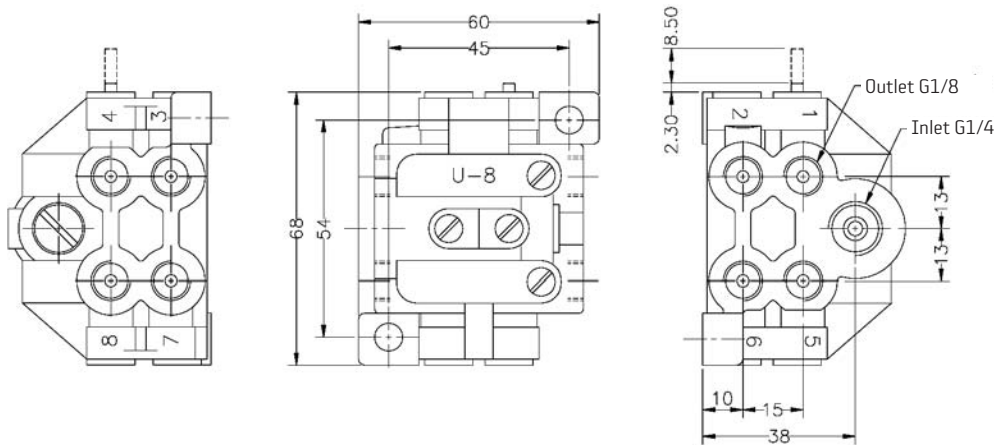
WWW.BIJURDELIMON.COM

2100 Gateway Centre Blvd., Suite 109
 Morrisville, NC 27560

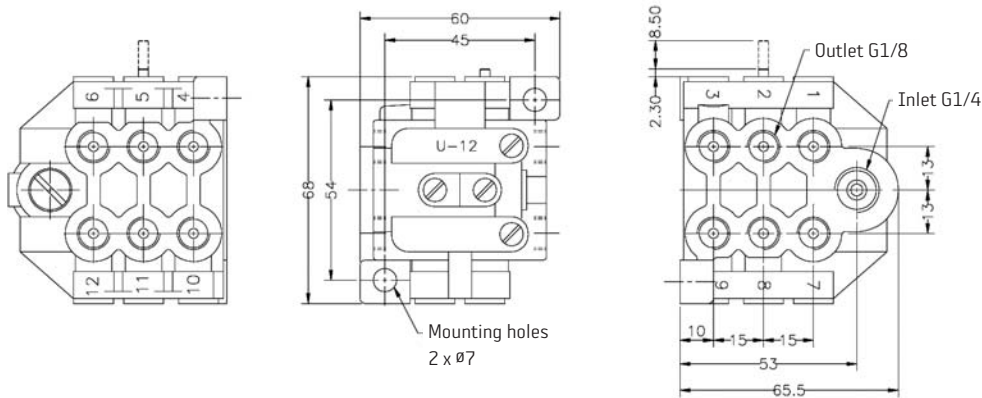
Dimensional Schematics

U-Block Divider Valve (with visual indicator)

Models U4R, U6R, U8R

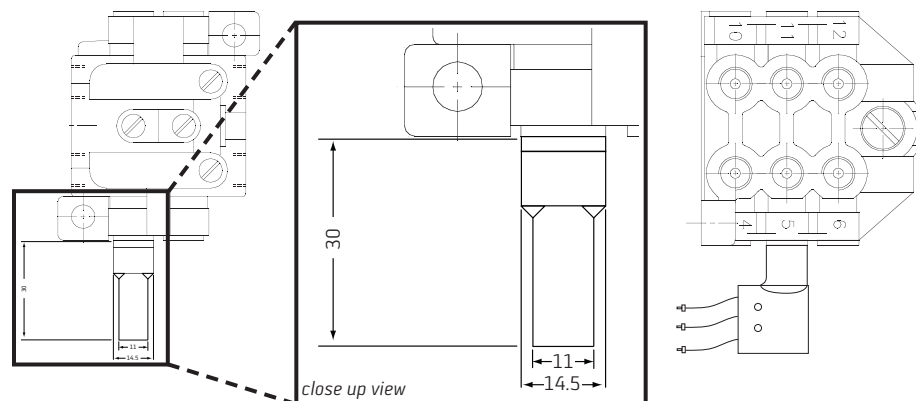


Model U10R, U12R



U-Block Divider Valve (with electric switch)

Model UM*



Measurements shown in millimeters.

All fittings in threaded holes should be torqued at 6.5 to 7.5 ft-lbs

* Valve dimensions are the same as Model UR.

BIJUR DELIMON INTERNATIONAL

(919) 651 5457 LOCAL
(800) 631 0168 TOLL-FREE
(919) 465 0516 FAX

WWW.BIJURDELIMON.COM

2100 Gateway Centre Blvd., Suite 109
Morrisville, NC 27560