

SureMatic Lubricator

Air-operated, SLR and Progressive Systems

General

The SureMatic lubricator is a piston discharge pump actuated by air, controlled by an electric solenoid valve (optional). The lubricator handles most industrial oils with viscosity at operating temperature between 150 and 8000 SSU (32-1700 cSt). It will also pump semi-fluid grease, grade NLGI 000 at temperatures above 32°F.

Application

This model is used where a higher pressure oil pump is required, such as SLR centralized lubricating systems. The air to oil pressure ratio is about 18:1, which will result in enough oil pressure for almost any system. Refer to *Brochure #166 - Progressive Lubricating Systems*.

Features

Reservoirs	Three sizes are available.
Follower Plate	Weighted (no spring necessary).
Low Level Switch	Liquid level switch.

Filling Reservoir

A fill cap with spring loaded cover is located in the reservoir top. A removable fill screen is in the cap.

Technical Data

Lubricant	Oil, 150-8000 SSU (32-1700 cSt) Semi-Fluid Grease, NLGI 000
Lubricator Reservoir Capacity	2.0, 3.5 and 5.0 liter
Discharge Settings/Delivery Per Stroke ¹	1.0, 2.0, 3.0, 4.0, 5.0 and 6.0cc
Pressure Ratio/Lubricant Discharge/Inlet Air	18:1
Max/Min Permissible Inlet Air Pressure	150/40 psi
Air Consumption per Stroke at 75 psi (free air)	1.0 liter
Maximum Back Pressure at 80 psi Air Pressure	1450 psi
Maximum Stroke Rate (full stroke, 6cc)	Approximately 5 strokes/min.
Weight (empty)	4.3 kg (9.5 lb)
Materials	Aluminum pump, Buna N seals, acrylic reservoir
Electrical Level Control Switch ² (optional)	Closes contact at low level
Maximum Voltage	240 VAC
Contact Rating	0.17 amps at 125 VAC; 0.08 amps at 240 VAC
Maximum Ambient Temperature Range	0-180°F

¹ Factory Set

² Thru suitable relays can operate remote alarm or indicator. Switch polarity can be reversed by turning switch upside down on stem.



ATTENTION

Use clean oil only of the type and viscosity recommended by machine manufacturer.

BIJUR DELIMON INTERNATIONAL

(919) 465 4448 LOCAL
(800) 631 0168 TOLL-FREE
(919) 465 0516 FAX

WWW.BIJURDELIMON.COM

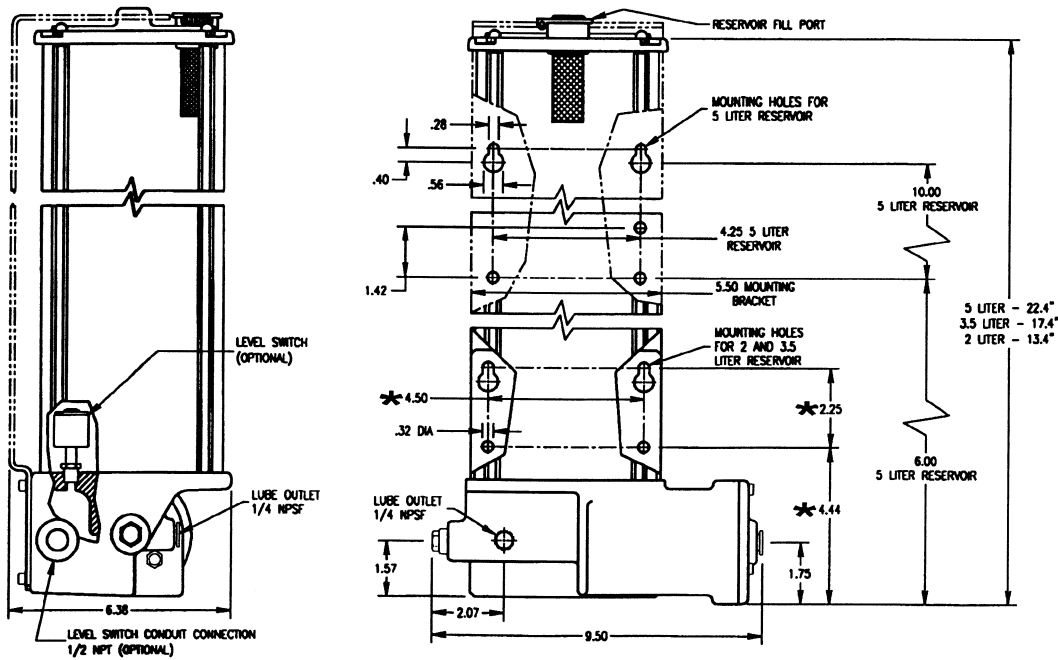
2100 Gateway Centre Blvd., Suite 109
Morrisville, NC 27560

26054 • R1 12/07

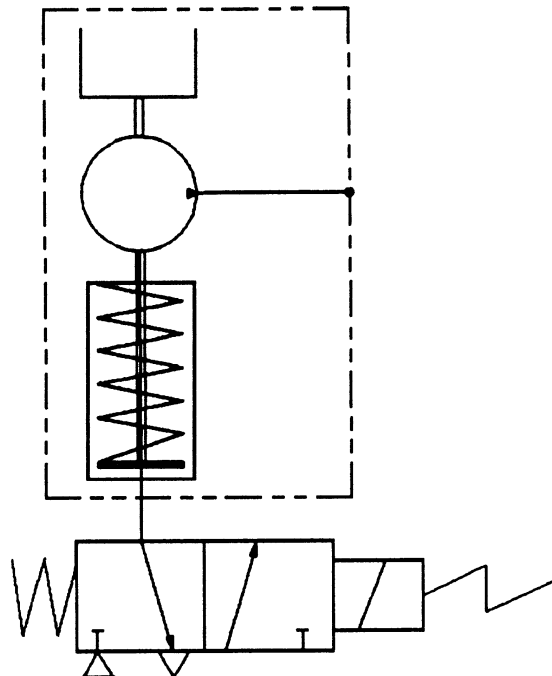
Installation

Mount in an upright vertical position only. Be sure lubricator and distribution system are fully primed with lubricant prior to operation.

Installation Dimensions



Pump Operation



BIJUR DELIMON INTERNATIONAL

(919) 465 4448 LOCAL
(800) 631 0168 TOLL-FREE
(919) 465 0516 FAX

WWW.BIJURDELIMON.COM

2100 Gateway Centre Blvd., Suite 109
Morrisville, NC 27560

How to Order

Reservoir Capacity	Delivery Per Stroke	Part #	
		Without Level Switch	With Level Switch
2.0 liter	1.0-6.0cc (adjustable)	18134	18137
3.5 liter	1.0-6.0cc (adjustable)	18135	18138
5.0 liter	1.0-6.0cc (adjustable)	18136	18139

Several options are offered on the SureMatic oil lubricator, including reservoir capacity and discharge delivery setting (factory set). When ordering, specify individual part number. Example: Requirement calls for a SureMatic Lubricator with 3.5 liter reservoir (with level switch) and an adjustable output delivery. Order as follows: SureMatic Lubricator, 3.5 liter reservoir, part #18135.

Accessories

Solenoid and Air Regulator Assembly

For pressure regulated air and electrically controlled impulses to the SureMatic oil lubricator, a solenoid valve and pressure regulator valve assembly is available. Conveniently pre-assembled to a single base plate, the unit can be bolted directly to the lubricator through pre-drilled holes or mounted separately as a stand-alone device. Order by part #21975 (tubing and connection fittings to lubricator not included).



SS2200 Remote Controller - Progressive Systems

The Bijur Delimon SS2200 is a microprocessor-based programmable controller specifically designed to control centralized lubrication systems. It operates on time or machine cycles and controls electric or air-driven pumps. It is housed in a NEMA 4x polycarbonate enclosure with a clear front cover. Precise LED indicators clearly display idle, lube or fault modes and a three-digit numerical display used during both programming and lube system operation.



Part #	Description
21975	Solenoid and Air Regulator Regulator
20311-3	Solenoid Valve with DIN Connector
24476	Interval Timer
SS2200	SS2200 Remote Controller

BIJUR DELIMON INTERNATIONAL

(919) 465 4448 LOCAL
 (800) 631 0168 TOLL-FREE
 (919) 465 0516 FAX

WWW.BIJURDELIMON.COM

2100 Gateway Centre Blvd., Suite 109
 Morrisville, NC 27560