

SureFire SLR Lubricator

Automatic, Oil



General

The SureFire SLR Lubricator is an automatic, robust and durable pump that can handle oil. Its compact size is designed to fit your space requirements and lubrication demands. The SureFire SLR Lubricator is a self-contained electric motor-driven gear pump that can adapt to a broad range of production machinery. It can handle resistance fittings or resistance fittings groups serving up to 100 lubrication points. Its versatility also allows it to perform with other lubrication system types and multiple applications.

Operation

The SureFire SLR Lubricator has a motor-driven pump that pulls lubricant in from the reservoir and delivers pressurized lubricant to the distribution network through the outlet(s) in the top plate. Pressurizing the distribution network forces all of the resistance fittings in the system to discharge the lubricant to the friction points. The resistance fittings continue to flow and the pump builds pressure until pressure relief valve setting is reached (75 psi or 130 psi 3-phase). Once the motor is shut off, pressure in the distribution network returns to near 0 psi. This actuates a quick dump valve which relieves the line pressure back into the reservoir.

Features

- + Handles oil
- + Low level switch for failsafe operation
- + Hydraulic outlet connections on either side for easy installations
- + Quick-snap reservoir release for fast and easy removal and service
- + Large capacity fill cap with built-in strainer minimizes contamination
- + Convenient plug-in type terminal block provides fault-free electrical connections (single-phase only)
- + Two controller versions available
- + Optional timer available on some models (single-phase only)
- + Bypass assembly (three-phase only)

Standard Controller/Monitor Features (Only Available on Single Phase Units)

The SureFire with on-board controller/monitor is designed to precisely control the lubrication to a piece of equipment. It does this by controlling the pump's cycle time, monitoring both internal and external inputs or switches, detecting and reporting faults, and offering visual feedback that can be continuously updated and improved to enhance the user's experience with the product. Four screen languages are available for global use (English, German, French, Spanish).

The functions of this microprocessor-based controller are as follows:

- + Manage the on times and the off times of the pump
- + Provide prelube functionality on start up
- + Detect and respond to various input signals
- + Display in real time the status of the pump at any time
- + Monitor for faults in the system
- + Provide output signals for feedback to the controlling machine



Single Phase w/ Controller



Single Phase w/ Lite Controller

ATTENTION

Additional information about the standard controller is available in Operators Manual #35462: SureFire Controller Supplement.

The standard controller also features the protection of settings, through password based security, protection of motors with limited duty cycles and restoration of default settings if required.

BIJUR DELIMON INTERNATIONAL

(919) 465 4448 LOCAL
(800) 631 0168 TOLL-FREE
(919) 465 0516 FAX

WWW.BIJURDELIMON.COM

2250 Perimeter Park Dr., Suite 120
Morrisville, NC 27560

35466 • R4 11/13

Lite Controller/Monitor (Only Available on Single Phase Units)

The SureFire Lite Controller is a multi-purpose programmable controller. Controller settings are saved whenever power is interrupted. Up to four operating modes can be selected which allows the controller to be used with various lubrication system designs.

- + Digital status display on front cover for easy programming
- + System monitoring capabilities
- + Data memory function initiated at power down
- + Compact design

ON/OFF Timer Features (Only Available on Single Phase Units)

The SureFire lubricator is also available with an ON/OFF timer to provide basic timing functions, as detailed below:

- + ON time range = 0.1 seconds to 100 hours
- + OFF time range = 0.1 seconds to 100 hours
- + ON and OFF time settings are adjusted with dials, using a screwdriver
- + Upon power up, timer begins with ON time settings
- + Timer is wired at the factory in series with each motor and will handle the maximum amp draw of each motor used (no fusing is required)
- + Customer simply connects (+) and (-) power to the lubricator terminal block

ATTENTION

Additional information about the lite controller is available in Supplement #35989: SureFire Lite Controller.

Additional information about the timer is available in Supplement #35144: SureFire On/Off Timer.

Technical Data

Output Volume - 115 VAC, 230 VAC (max.) ¹	200cc/min @ 60 Hz (167cc/min @ 50 Hz)
Output Volume - 24 VDC (max.) ¹	250cc/min
Output Volume - Three phase (max.) ¹	200 or 500cc/min @ 60 Hz; 167 or 415cc/min @ 50 Hz
Output Pressure (max.)	75 psi (5 bar) 130 psi (8.9 bar) 3-Phase Models
Pressure Switch Setting ^{2,3}	Closes at 20 ± 5 psi (1.4 ± 0.3 bar)
Lubricant Viscosity	Oil: 20 to 1500 cSt at operating temperature
Reservoir Fill Screen (oil only)	40 mesh, removable
Reservoir Volume	1.8 liter, 2.7 liter, 6.0 liter, 12.0 liter
Reservoir Material	Clear Terlux Plastic for 1.8, 2.7 and 6.0 liter, Steel for 12.0 liter
Motor Voltage Options	115 VAC, 230 VAC 50/60 Hz, 24 VDC (single phase) 230/415 VAC 50 Hz, 260/480 VAC 60 Hz (three phase)
Motor Power Requirements ^{4,5}	Approximately 140 watts
Operating Temperature Range	40°F through 105°F (5°C through 40°C)
IP Enclosure Rating	IP-54
Electrical Fitting	Liquid tight
Output Connection	G 1/4 BSPP
Single (main) Feed Line	6mm O.D. minimum recommended

¹ Typical pump output is ~3cc/sec with pump on for 20-30 sec with 100+ points and 1/4" main line.

² Pressure switch is standard on single phase models with controller. Not available on three phase models.

³ External end-of-line pressure switch also available (Part #26641-2; 55 psi).

⁴ Only applies to SureFire SLR single phase models.

⁵ Motor Overload Protection needs to be provided by the host machine and/or its control system.

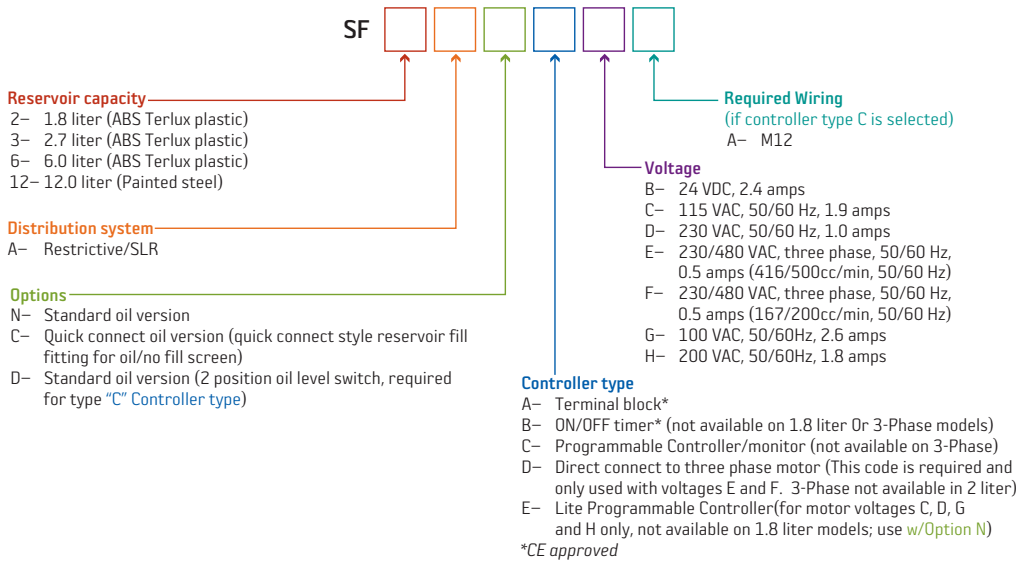
BIJUR DELIMON INTERNATIONAL

(919) 465 4448 LOCAL
(800) 631 0168 TOLL-FREE
(919) 465 0516 FAX

WWW.BIJURDELIMON.COM

2250 Perimeter Park Dr., Suite 120
Morrisville, NC 27560

How to Order



ATTENTION

Standard versions include:
float type reservoir low level switch,
standard reservoir fill-cap screen, 75 psi
pressure relief valve(130psi 3-Phase).

* Additional information about the M12
connectors is available in Brochure
#262: SureFire SLR Lubricator.

The SureFire SLR Lubricator features a smart part number ordering system, where you can tailor the pump to meet your needs. First, choose the reservoir capacity, distribution system, pump options, controller type and voltage you need. Then, put the numbers into the corresponding squares in the easy-to-use grid. You now have the customized part number.

Example: To order a 1.8 liter reservoir with a restrictive/SLR distribution system, standard options, terminal block controller and a 115 VAC motor, you would use Part #SF2ANAC.

BIJUR DELIMON INTERNATIONAL

(919) 465 4448 LOCAL
(800) 631 0168 TOLL-FREE
(919) 465 0516 FAX

WWW.BIJURDELIMON.COM

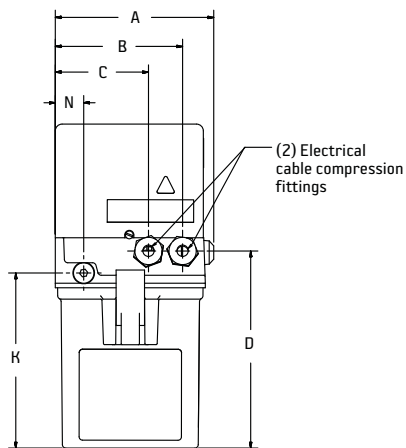
2250 Perimeter Park Dr., Suite 120
Morrisville, NC 27560

Dimensional Schematics

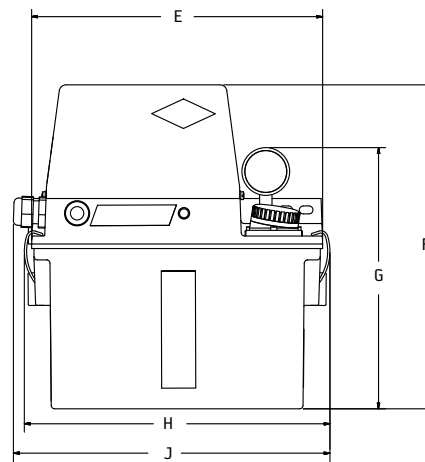
Measurements shown in millimeters.

SureFire SLR 1.8, 2.7 & 6.0 Liter (115 VAC, 230 VAC and 24 VDC Single Phase)

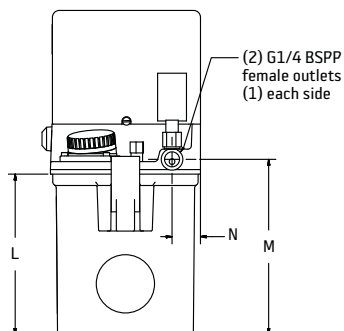
Left View



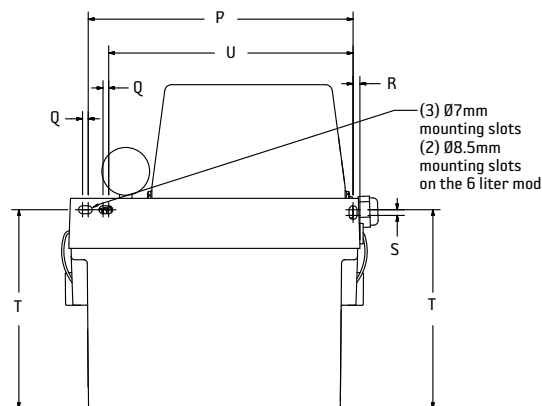
Front View



Right View



Back View



Reference	A	B	C	D	E	F	G	H	J	K	L	M	N	P	Q	R	S	T	U
1.8 liter	136	114	82	174	170	285	230	183	204	154	141	154	25	153	5	6	5	175	N/A
2.7 liter	139	114	82	174	256	285	230	269	279	154	141	154	25	233	5	6	5	175	215
6.0 liter	186	117	85	204	290	318	264	303	N/A	187	174	187	25	220	5	35	5	209	N/A

BIJUR DELIMON INTERNATIONAL

(919) 465 4448 LOCAL
 (800) 631 0168 TOLL-FREE
 (919) 465 0516 FAX

WWW.BIJURDELIMON.COM

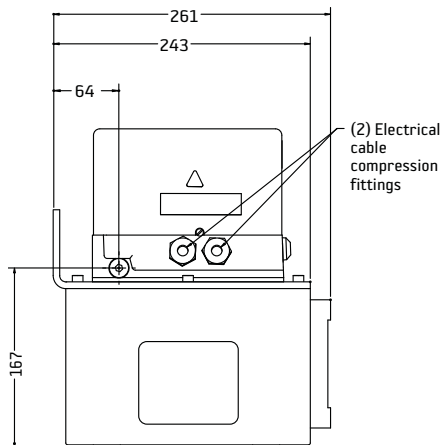
2250 Perimeter Park Dr., Suite 120
 Morrisville, NC 27560

Dimensional Schematics

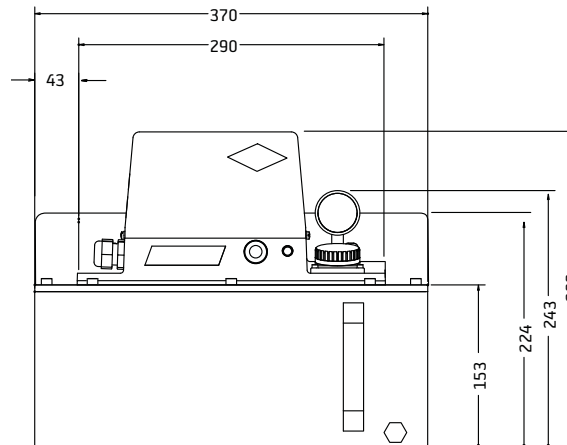
Measurements shown in millimeters.

SureFire SLR 12.0 Liter (115 VAC, 230 VAC and 24 VDC Single Phase)

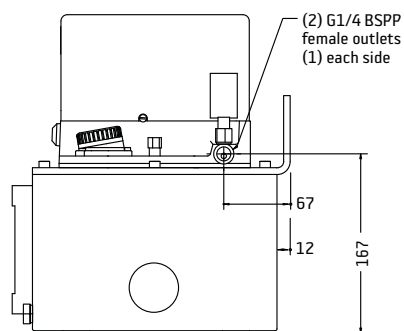
Left View



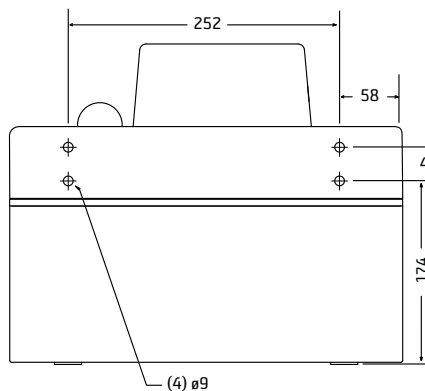
Front View



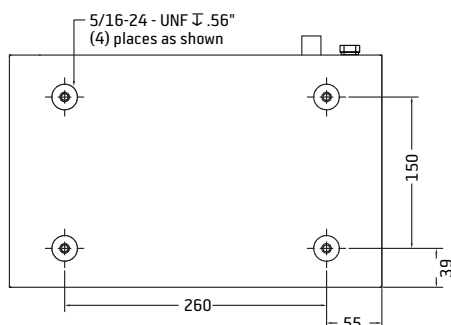
Right View



Back View



Bottom View



BIJUR DELIMON INTERNATIONAL

(919) 465 4448 LOCAL
(800) 631 0168 TOLL-FREE
(919) 465 0516 FAX

WWW.BIJURDELIMON.COM

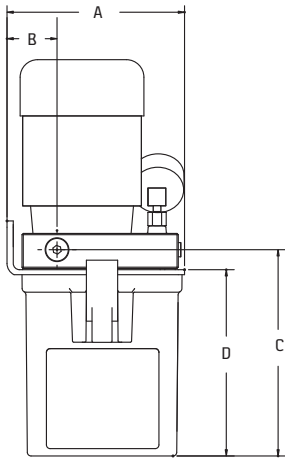
2250 Perimeter Park Dr., Suite 120
Morrisville, NC 27560

Dimensional Schematics

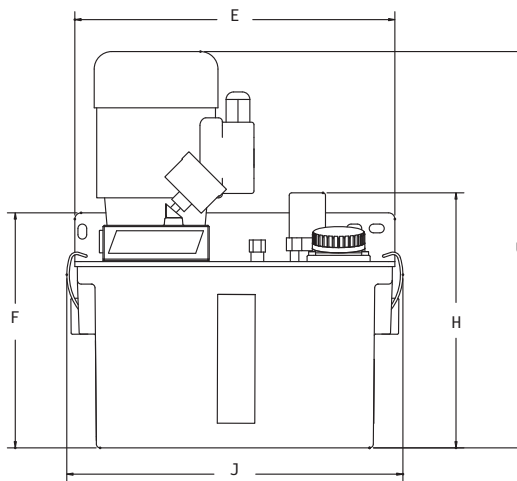
Measurements shown in millimeters.

SureFire SLR 1.8, 2.7 & 6.0 Liter (230/480 VAC Three Phase)

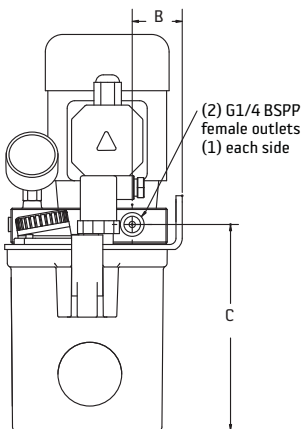
Left View



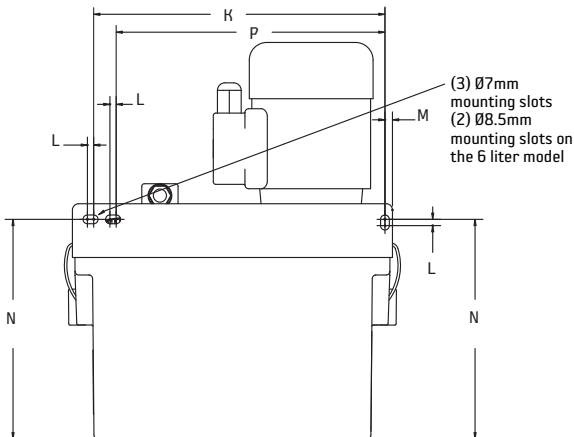
Front View



Right View



Back View



Reference	A	B	C	D	E	F	G	H	J	K	L	M	N	P	Q	R	S	T	U
1.8 liter	135	36	163	149	170	188	317	202	183	153	5	6	175.5	N/A	5	6	5	175	N/A
2.7 liter	144	45	163	149	256	188	317	202	269	233	5	6	175.5	215	5	6	5	175	215
6.0 liter	190	48	196	182	290	221	350	237	303	220	5	35	209	N/A	5	35	5	209	N/A

BIJUR DELIMON INTERNATIONAL

(919) 465 4448 LOCAL
 (800) 631 0168 TOLL-FREE
 (919) 465 0516 FAX

WWW.BIJURDELIMON.COM

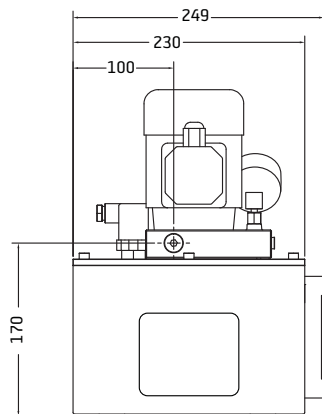
2250 Perimeter Park Dr., Suite 120
 Morrisville, NC 27560

Dimensional Schematics

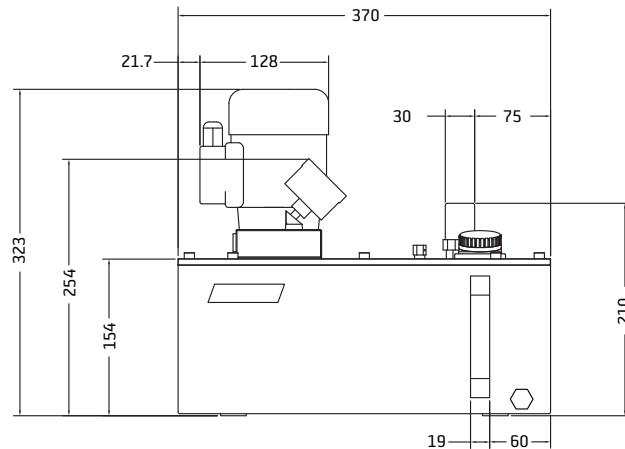
Measurements shown in millimeters.

SureFire SLR 12.0 Liter (230/480 VAC Three Phase)

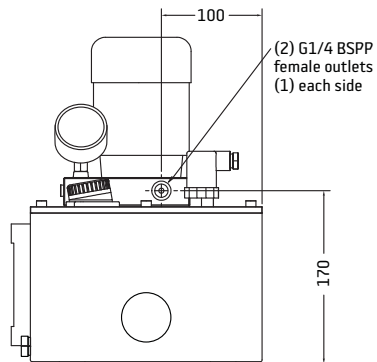
Left View



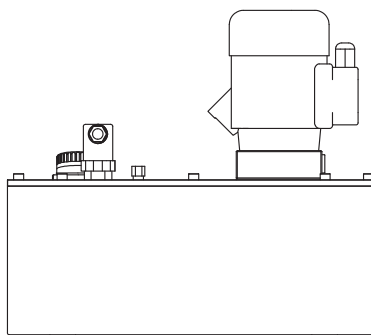
Front View



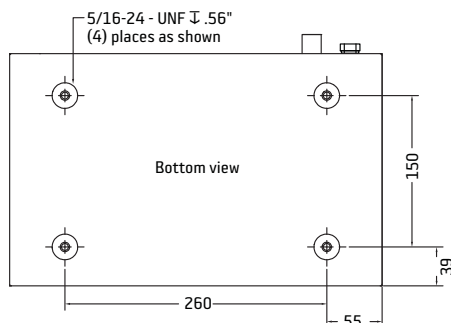
Right View



Back View



Bottom View



BIJUR DELIMON INTERNATIONAL

(919) 465 4448 LOCAL
(800) 631 0168 TOLL-FREE
(919) 465 0516 FAX

WWW.BIJURDELIMON.COM

2250 Perimeter Park Dr., Suite 120
Morrisville, NC 27560