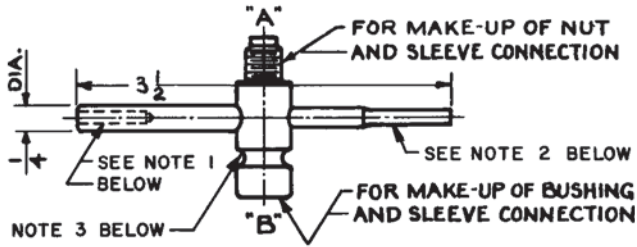


Make-up Tool



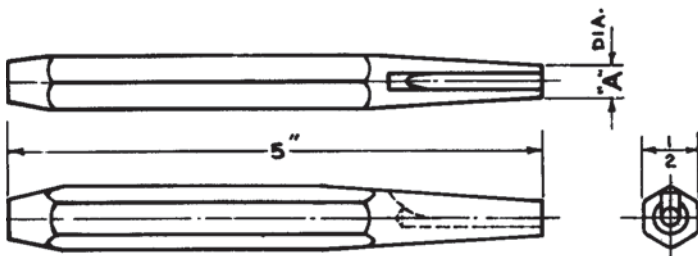
Use for making compression tubing connections (see Data Sheet #2800 and #2802).

Name	Part #	End A		End B	
		Tubing O.D.	Thread Size	Tubing O.D.	Thread Size
Make-up Tool	B3529	5/32"	5/16-24	5/32"	5/16-24
	B3652	3/32"	3/16-24	3/22"	5/16-24
	B3800	3/32"	1/4-28	5/32"	5/16-24

Notes

1. If the end of the tubing goes into the bottom of the hole, the tubing is straight enough and the cut-off burr is small enough to make a correct compression connection.
2. Compression sleeve go gauge.
3. Minimum bend radius.

Drive Bushing Assembly Punch



Use for installing drive bushings (see Data Sheet #2800 and #2802).

Name	Part #	Tubing O.D.	A
Drive Bushing Assembly Punch	B4117	5/32"	5/16
	B4442	3/32"	1/4

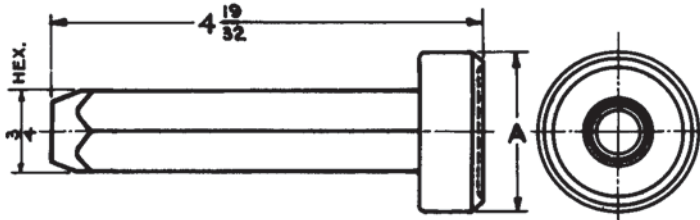
BIJUR DELIMON INTERNATIONAL

(919) 465 4448 LOCAL
 (800) 631 0168 TOLL-FREE
 (919) 465 0516 FAX

WWW.BIJURDELIMON.COM

2100 Gateway Centre Blvd., Suite 109
 Morrisville, NC 27560

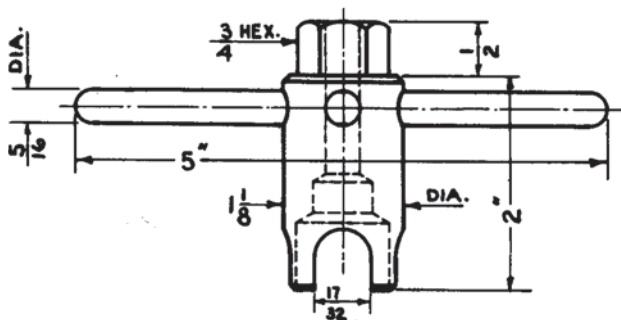
Window Unit Assembly Punch



Use for installing window units (see Data Sheet #2711, #2711-A, #2712, #2712-A and #2713).

Name	Part #	Window Diameter	A
Window Unit Assembly Punch	B5026	5/8"	1 1/8"
	B5049	1"	1 1/2"
	B5051	1 1/4"	1 3/4"
	B6743	1 1/2"	2"
	B5179	1 3/4"	2 1/4"

Meter Unit Tee Head Wrench



Use for installing tee meter units and control units (see Data Sheet #2400, #2405, #2410, #2411 and #2415).

Name	Part #
Meter Unit Tee Head Wrench	B3287

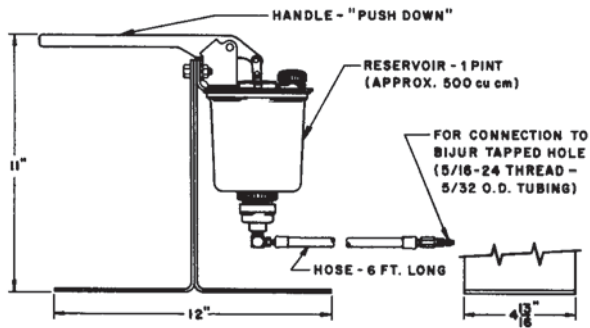
BIJUR DELIMON INTERNATIONAL

(919) 465 4448 LOCAL
(800) 631 0168 TOLL-FREE
(919) 465 0516 FAX

WWW.BIJURDELIMON.COM

2100 Gateway Centre Blvd., Suite 109
Morrisville, NC 27560

Service Pump



Use for priming any Bijur Delimon lubricating system after installation.

Name	Part #
Service Pump	D2151

BIJUR DELIMON INTERNATIONAL

(919) 465 4448 LOCAL
(800) 631 0168 TOLL-FREE
(919) 465 0516 FAX

WWW.BIJURDELIMON.COM

2100 Gateway Centre Blvd., Suite 109
Morrisville, NC 27560