

# V3 Lubricator

## Continuous Delivery

### General

**Constant Volume Outputs models:** Pressure is limited internally to 75 psi by a relief valve. Discharge volume is constant, pressure will fluctuate due to environmental and operating changes that cause variation in viscosity, but will not alter pre-calibrated discharge to control units.

**Constant Pressure Output models:** Pressure is limited internally to 75 psi by a relief valve. Discharge pressure is adjustable but will remain constant for a given by-pass valve setting, discharge volume under constant pressure conditions will fluctuate due to environmental and operating changes that cause variations in viscosity. Volume variations will alter the pre-calculated discharge to control units, therefore, constant pressure models should only be used for those applications with a constant operating temperature.

### Operation

The V3 lubricator includes a motor-driven gear pump in two types:

1. Constant Volume Output (CVO)
1. Constant Pressure Output (CPO)

Discharge volume may be reduced by turning the bypass valve counter-clockwise to increase the bypass flow (oil return to reservoir) and thus automatically reduce the system pressure. Discharge volume may be increased by closing the bypass valve clockwise to reduce bypass flow and increase pressure.

### Technical Data

<b>Motor</b>	Continuous duty, single phase, synchronous induction timing motor for 50-60 Hz
<b>Voltage</b>	115/220 VAC
<b>Power Consumption</b>	3 W
<b>Reservoir</b>	1 liter (1000cc), refill capacity approximately 1 quart
<b>Lubricator Inlet Filter</b>	125 micron particle separation
<b>Liquid Level Switch</b>	Available on some models
<b>Factory Discharge Setting</b>	3cc/min. (Adjustable from 2-3cc)
<b>Viscosity Range</b>	100-10,000 SSU (Constant Pressure Output) 500-10,000 SSU (Constant Volume Output)

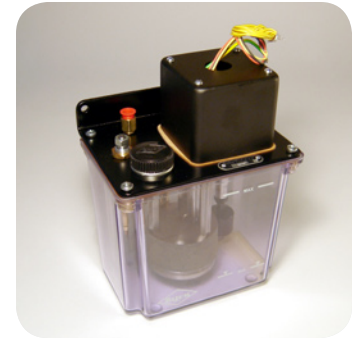
### Notes Regarding Use

1. Lubricator inlet filter should be inspected periodically and cleaned or replaced as required.
2. With lubricator at normal operating temperature, desired discharge volume is obtained by adjusting the bypass valve to a precalculated pressure on the system pressure gauge. Precalculated pressure may be determined from the *Bijur Engineering Manual*.

### Motor Wiring

<b>Constant Volume Output &amp; Constant Pressure Output</b>	110 VAC	Connect yellow and red, insulate black.
	220 VAC	Connect yellow and black, insulate red.

*Bijur reserves the right to change motor size, mounting dimensions and/or manufacturer.*



### System & Limitations

Use control units Type C. For system (ø) limitations, see *Bijur Engineering Manual*.

#### BIJUR DELIMON INTERNATIONAL

(919) 465 4448 LOCAL  
(800) 631 0168 TOLL-FREE  
(919) 465 0516 FAX

[WWW.BIJURDELIMON.COM](http://WWW.BIJURDELIMON.COM)

2100 Gateway Centre Blvd., Suite 109  
Morrisville, NC 27560

**35468 • R1 09/09**

### Liquid Level Switch

The standard liquid level switch closes at high oil level. When switch is connected to light or other indicating device, liquid level is monitored. Switch contact rating is 15 watts maximum (indicating device is not supplied by Bijur). The operation of the liquid level switch may be reversed, when desired, by inverting the float. When the float is reversed, the switch will close an electrical circuit whenever the oil level is below the minimum operating level.

**ATTENTION**

Use clean oil only of the type and viscosity recommended by machine manufacturer.

**ATTENTION**

Replace filter group annually.

### How to Order

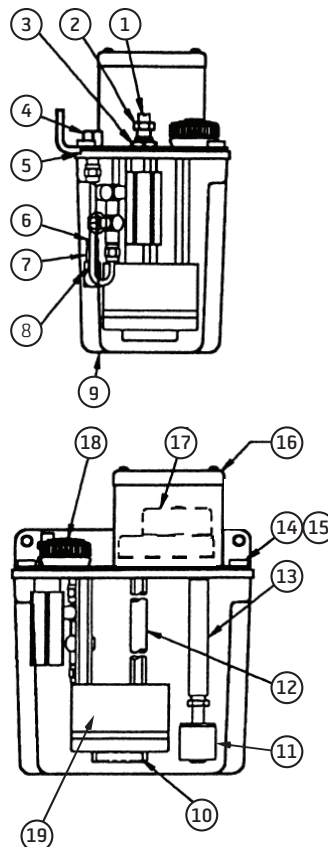
Name	Type	Level Switch	Part #
V3 Lubricator	Constant Volume Output (CVO)	No	D3065
		Yes	D3206
	Constant Pressure Output (CPO)	No	D3134
		Yes	D3207

When ordering, specify by name, description and part number, e.g. V3 Lubricator, CVO, with level switch, Part #D3206.

### Service Parts

Order the part number and name shown below. For major repairs requiring parts not identified, return lubricator for factory rebuilding and adjustment.

Item	Description	CVO	CPO	Part #
1	Bypass valve		X	B8851
	Bypass valve assy	X		B10426
2	Lock nut		X	HN204
3	Mounting nut	X	X	A3711
4	Outlet connector		X	B5560
5	Gasket	X	X	B8197
6	Tube		X	B8749
	Tube assembly	X		B9585
7	Outlet check valve	X	X	34328
8	Outlet tube		X	B8852
9	Reservoir	X	X	D3218
10	Filter group	X	X	S234
11	Liquid level switch	X	X	B9640
12	Motor coupling	X	X	B8744
13	Rod	X	X	B9637
14	Screw (4x)	X	X	22081-27
15	Washer (4x)	X	X	22080-3
16	Motor cover	X	X	B9826
17	Motor	X	X	24278-3
18	Filler cap	X	X	B9230
19	Pump assembly	X	X	B10734



BIJUR DELIMON INTERNATIONAL

(919) 465 4448 LOCAL  
 (800) 631 0168 TOLL-FREE  
 (919) 465 0516 FAX

[WWW.BIJURDELIMON.COM](http://WWW.BIJURDELIMON.COM)

2100 Gateway Centre Blvd., Suite 109  
 Morrisville, NC 27560

## Maintenance

Check oil level daily and refill reservoir when required. Check the system periodically for loose or broken tubing, worn hoses, loose fittings and connections. Replace filter group annually.

### Filter Replacement

An inlet filter protects the lubricating system. The filter should be inspected every six months. If not clean, replace. To replace the filter:

1. Remove the snap ring which releases the clamp ring, filter disc ring and screens.
2. Insert new screens, coarse screen first and filter disc ring.
3. Reassemble clamp and snap ring.

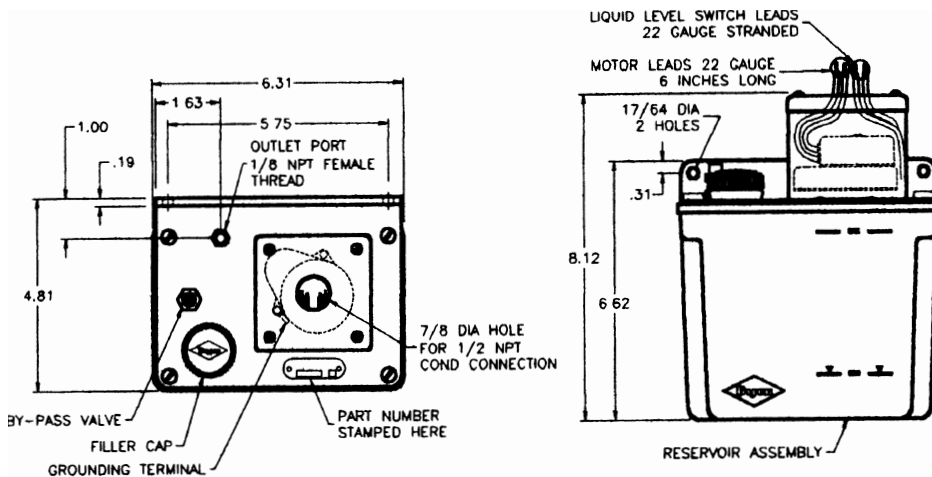
### Motor Replacement

Remove motor cover and the two screws holding motor. To reassemble, be sure slot in motor shaft engages with pin in drive shaft before replacing screws.

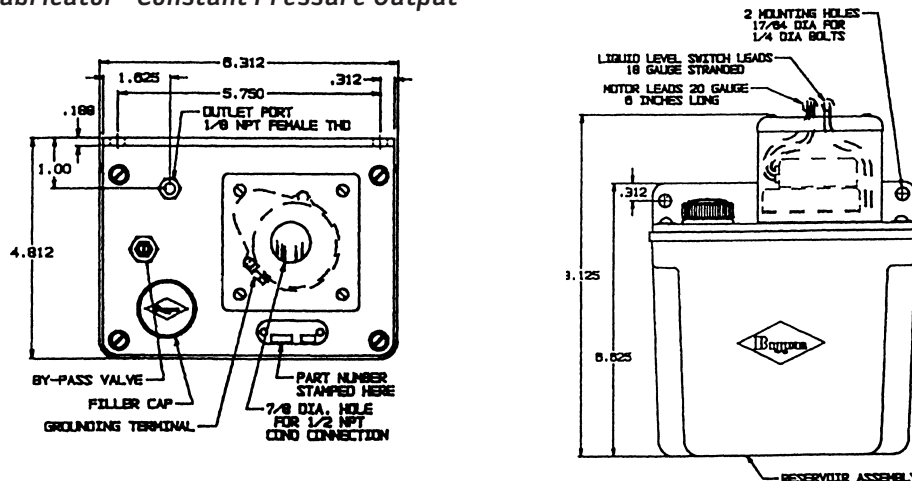
*Illustrations and specifications are not binding in detail. Designs are subject to modification and improvement without notice.*

## Dimensional Schematics

### V3 Lubricator - Constant Volume Output



### V3 Lubricator - Constant Pressure Output



BIJUR DELIMON INTERNATIONAL

(919) 465 4448 LOCAL  
(800) 631 0168 TOLL-FREE  
(919) 465 0516 FAX

[WWW.BIJURDELIMON.COM](http://WWW.BIJURDELIMON.COM)

2100 Gateway Centre Blvd., Suite 109  
Morrisville, NC 27560

**35468 • R1 09/09**