

YP-8 Lubricator

Automatic, Pneumatic Actuated

General

The YP-8 lubricator is designed for cyclic operation by the application of pressure pulses to the air supply connection. Each pressure pulse provides one discharge stroke of the lubricator. An internal spring is used to return the piston, therefore, provision must be made to exhaust the air supply between strokes.

Technical Data

Reservoir Capacity	1 liter or 1 gallon
System	Type F meter units
Liquid Level Switch	Available as standard on some models (see <i>How to Order</i> , p.2)
Switch Contact Rating	20 watts maximum (<i>light or indicating device not supplied by Bijur</i>)
Lubrication Inlet Filter	40 micron particle separation ¹
Air Supply Pressure	50 to 150 psi allowable
Discharge Pressure Range	Varies depending on input air pressure, total system ϕ and oil viscosity ²
Discharge Volume Per Stroke	1.0 to 8.0cc (adjustable)

¹ Inspect inlet filter regularly and clean or replace as necessary.

² The maximum discharge pressure is equal to the input air pressure less the pressure required to compress the return spring (approximately 20 psi at full stroke).

Installation

For ease in initial priming of the YP-8 lubricator, the set screw and delivery adjusting screw (see *Figure B*) are supplied as separate items attached to the outside of the lubricator.

Priming must be completed prior to insertion of these parts using the following procedure:

1. Prime Pump

- + Fill reservoir with lubricant to maximum capacity.
- + Insert rod or screwdriver into air inlet port (see *Figure A*).
- + Manually prime pump by fully depressing piston with rod five times. Pump is now primed.

2. Adjust Output

- + Insert delivery adjusting screw into air inlet port (see *Figure B*). Turn screw in a clockwise direction until it will advance no further.
- + Adjust pump discharge by backing delivery adjusting screw out of port. Turn screw counter-clockwise, one complete turn for each cubic centimeter (cc) delivery required, ie. 1 turn = 1cc, 2 turns = 2cc, etc. *Caution: Do not exceed eight complete turns. Exceeding eight turns will damage pump.*
- + Drive set screw (see *Figure B*) tightly against delivery adjusting screw to lock volume setting. Delivery output adjustment is complete.



Figure A

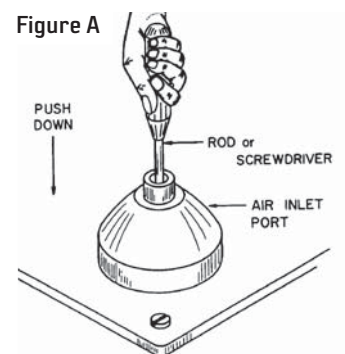
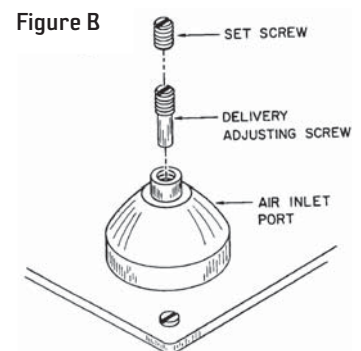


Figure B



BIJUR DELIMON INTERNATIONAL

(919) 465 4448 LOCAL
(800) 631 0168 TOLL-FREE
(919) 465 0516 FAX

WWW.BIJURDELIMON.COM

2250 Perimeter Park Dr., Suite 120
Morrisville, NC 27560

Liquid Level Switch Operation

For fail-safe operation, the switch will close an electrical circuit whenever the oil in the reservoir is above the minimum operating level. Thus, when connected to a light or other indicating device, the liquid level can be monitored. Customers may reverse the operation when desired by inverting the float. When the float is reversed, the switch will close an electrical circuit whenever the oil level is below the minimum operating level.

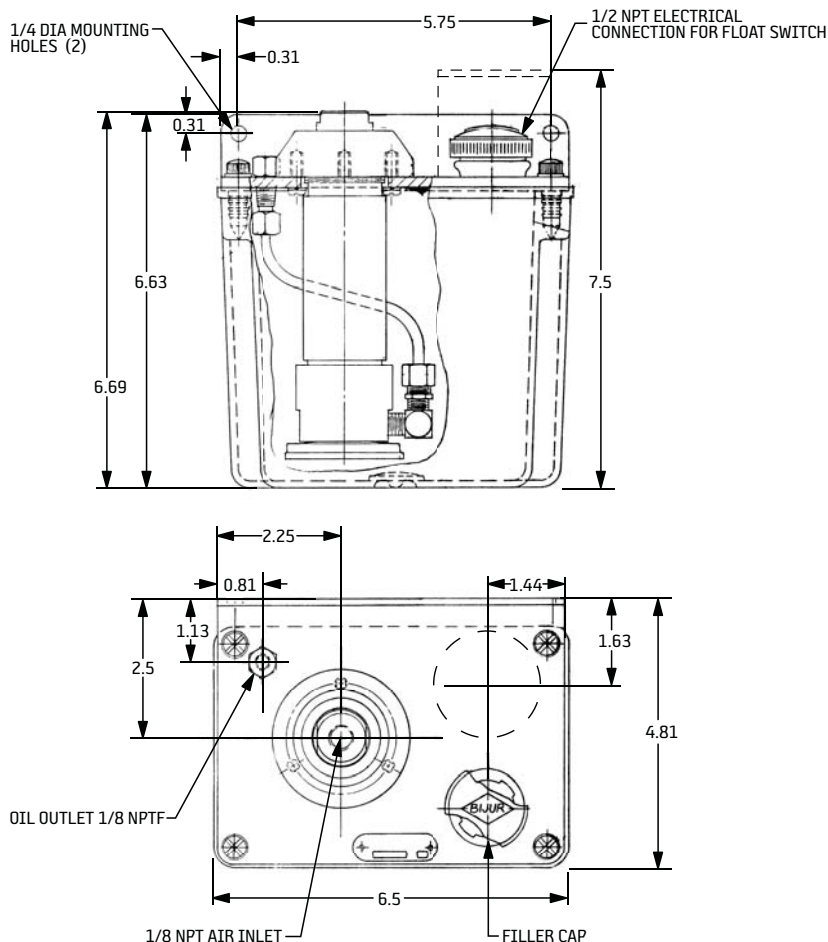
How to Order

Name	Reservoir Capacity	Liquid Level Switch	Part #
Lubricator YP-8	1 liter	NO	D3688-1
	1 liter	YES	D3689-1
	1 gallon	YES	D3740-1

When ordering, specify name and part number. Example: Lubricator YP-8, Part #D3688-1.

Dimensional Schematic

1 Liter



BIJUR DELIMON INTERNATIONAL

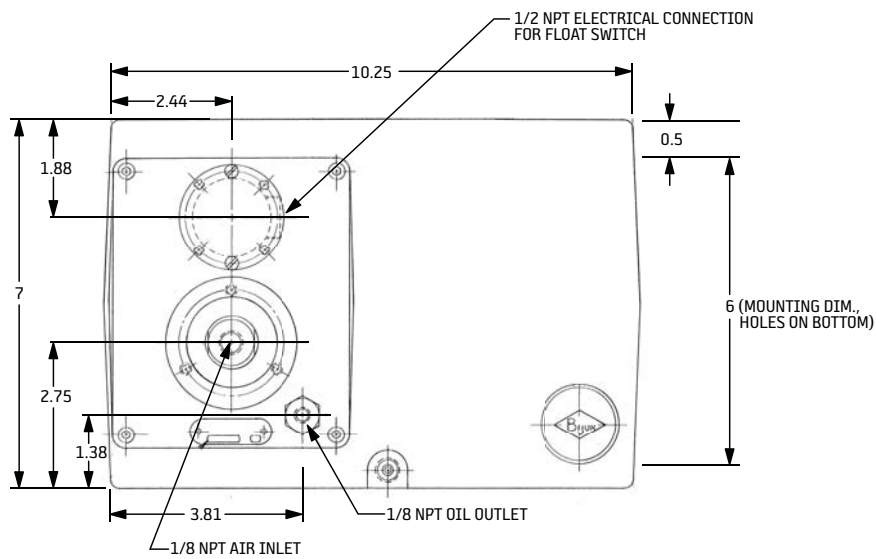
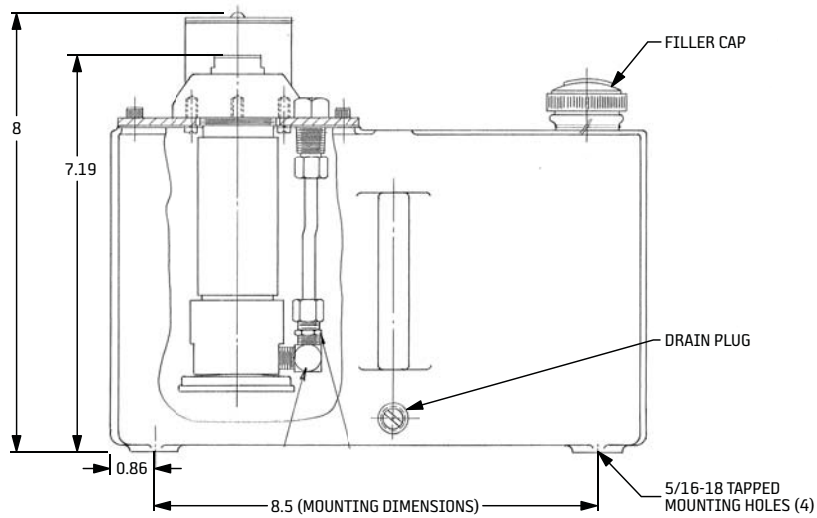
(919) 465 4448 LOCAL
 (800) 631 0168 TOLL-FREE
 (919) 465 0516 FAX

WWW.BIJURDELIMON.COM

2250 Perimeter Park Dr., Suite 120
 Morrisville, NC 27560

Dimensional Schematic

1 Gallon



BIJUR DELIMON INTERNATIONAL

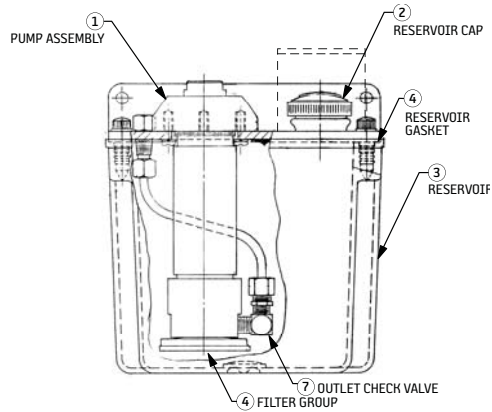
(919) 465 4448 LOCAL
(800) 631 0168 TOLL-FREE
(919) 465 0516 FAX

WWW.BIJURDELIMON.COM

2250 Perimeter Park Dr., Suite 120
Morrisville, NC 27560

Service Parts

Item	Description	Part #	
1	Pump Assembly	D3732-1	
2	Reservoir Cap	B9230C	
3	Reservoir	1 liter	D3218
		1 gallon	D2593
4	Reservoir Gasket - 1 liter	B8197	
5	Filter Group	S109	
6	Level Switch (Not Shown)	B7760	
7	Outlet Check Valve 90°	B3833	



BIJUR DELIMON INTERNATIONAL

(919) 465 4448 LOCAL
(800) 631 0168 TOLL-FREE
(919) 465 0516 FAX

WWW.BIJURDELIMON.COM

2250 Perimeter Park Dr., Suite 120
Morrisville, NC 27560